



TASTY TREASURE

¹K Gayathri, ²Ch V.S.N.L.Sireesha, ³G Sai Vishnavi, ⁴M Sandeep

*Pursuing B.Tech (CSE) from St. Ann's College of Engineering. & Technology. Chirala,
 Andhra Pradesh -, 523 187 INDIA*

*N.Lakshmi Narayana ,working as Assistant Professor (CSE)in St. Ann's College of Engineering. &
 Technology. Chirala,*

Andhra Pradesh -, 523 187 INDIA

*Dr. P Hariniworking as HOD(CSE) in St. Ann's College of Engineering. & Technology. Chirala,
 Andhra Pradesh -, 523 187 INDIA*

*gayathricutekunapareddy@gmail.com, chimakurthisireesha66@gmail.com, vaishnavi.gurram@gmail.c
 om, sandeep142101@gmail.com*

ABSTRACT

This application is the idea of making different recipes through different ingredients. When a user enters their available ingredients the application will show all possible recipes and the process of making it.

“TASTY TREASURE” is the project which enables the user in making variety of tasty dishes in a fast and tasty way.

The user must enter minimum three ingredients except very common ingredients used by all the dishes to make a dish more delight and tasty.

By using this makes the user process easier and comfort as it will show the all possible dishes with the available items to the user. so that he/she can choose the dish according to their taste. by having this application in the mobile the user no need to think

about the name of the dish also the application itself can give the procedures for their ingredients. The Tasty Treasure is the guide for people in cooking it paves the tasty way to the user in making the dish tasty in a comfort way.

Introduction

Android was deployed as one of the fastest growing operating systems. Everyday higher than 1 billion new android devices are activated throughout the world. From play store 1.5 billion visits a month. Such a wider user base, coupled with easy of developing and distributing applications, makes Android an enthusiastic platform for malicious developers that gives personal gain while considering user's money and invading user's privacy.

Compared to desktop and laptop computers, mobile devices have a different paradigm for installing new applications. useful and comfortable applications will exist longtime for its usage. Application should make the process easier and should help the user in completing the task in fast and effective way according to its basic structure. The applications are developing in all areas of human life.

we propose the application regarding the dishes, cooking process which is very important to lead a healthy and tasty life.when user knows nothing about the dishes it provides something to the user.when particular user enters ingredients available to them application will list the possible dishes along with procedure and this application is as convenient as traditional method of entering dish name and getting the procedure

Related Work

The application named TASTY TREASURE is to give procedure of dishes with available ingredients. tasty treasure is to provide procedure of dishes with ingredients besides the traditional search of the process with the name of particular dish.

Existing system

There in application world so many applications are there regarding this recipes.

The required procedures can be achieved by giving the recipe name .but at some time user don't know the names even,then that projects are helpless.

Disadvantages:

- we can only get the recipes procedure, but in that procedure we don't even know the names of the ingredients at some time.
- The app just gives the procedure for the required recipe but not for the ingredients available with us.
- we have to go through out website for the required recipe.

Proposed system:

Our project is the extension to the traditional search as the user can enter the available ingredients so that all the possible dishes will display to the user which makes the users task much easier.

As he/she can know what all the dishes can be made with particular items or ingredients and the process ofcourse, besides that what & how the cooking can be done with the ingredients with in their hand.

This application helps in smart cooking also for the one who knows very little about cooking and the dishes.

Advantages:

- Trough this application the work is made so easier.

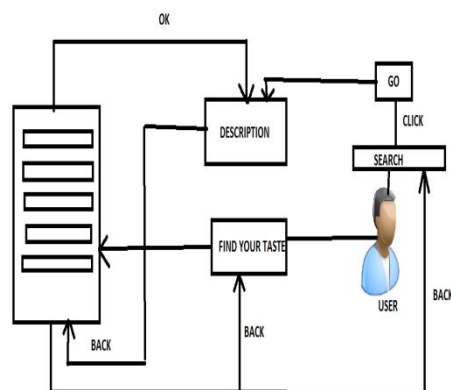
- The user can directly enter the ingredients to the app that are available with the user.
- The maximum ways and procedure for the given ingredients will be displayed.
- so that the process is made easier and can be cooked delicious.

ALGORITHM

STEP1:Entering into the application we get a page which consists of 2 modules.

STEP2:The first module consists of SEARCH button,where the name of the recipe can be directly searched.

ARCHITECTURE



CONCLUSION

The "search of procedures of dishes with available items and the name of the dish" will effectively

communicate the cooking process to the users, and propose a way for achieving their task of cooking in a Tasty way.

The application is very useful to the user while the user is seeking for help of some one for their effective completion of their "preparing dishes with nearby ingredients" task.so when an user installs this application the user can have a guide with them who helps in making dishes as they required.this project is to give more tasty and comfort to their dishes.

FUTURE SCOPE

As this is stand alone application it can be made as web based so that the updations can be done frequently.it can also able to give the nutrition values and calories like in the dish that they selected to prepare so that it is will be tasty and healthy treasure also.

REFERENCES

1. <http://www.finecooking.com/>
2. www.wikihow.com
3. www.padhuskitchen.com