

## IMPROVEMENT OF CURRENT WAVEFORM BY IMPLEMENTATION AND CONTROL OF A HYBRID MULTILEVEL CONVERTER WITH FLOATING DC-LINKS



Suresh. Madasi<sup>1</sup>, Prof. P. Shankar Babu<sup>2</sup>

\* M. Suresh is currently pursuing Master of Technology program in Power Electronics in LITE, Himyath Sagar, Hyderabad (Dist), A.P, India.

\*\* P. Shankar Babu, Professor&HOD, LITE, Himyath Sagar, Hyderabad (Dist), A.P, India.

### ABSTRACT

The Design of Improvement of current Waveform by Implement and Control of a Hybrid Multilevel Converter with Floating DC-Links. The proposed features a (NPC-HBs) has five (more) level converters. This significantly increases the level number of output waveform and thereby dramatically reducing the low order harmonics and total harmonic distortion. In this topology, the NPC is used to supply the active power while the HBs operate as series active filters, improving the voltage waveform quality by only handling reactive power. This frontend complicates the implementation of converters that have a high number of levels. This advantage comes at the cost of multiple DC-links supplied by independent rectifiers through the use of a multi-output transformer for inverters. It is used in medium-voltage high-power converters have become widely used as drives for pumps, fans and material transport in a number of industries. Finally, the article included the results of an experimental a 1kW a low power hybrid prototype and with its switches operating at 250 Hz are implemented. Experiments are conducted to verify the theoretical analysis.

**Key words-** Power electronics, current control, harmonic Distortion, voltage source converter (VSC), three-phase NPC, neutral point clamped (NPC),

### I. INTRODUCTION

At this voltage range, multilevel converters are preferred to overcome the voltage blocking limitations of the available switches. Another important advantage of this technology is the improved output waveforms due, to the higher number of levels in the output voltage waveform, compared to the conventional three-phase two-level inverter. Similarly, an increased number of voltage levels will result in a reduced input filter size for grid connected applications. Moreover, a high number of levels allow the device switching frequency to be reduced for a given current distortion.

The multilevel topologies can be classified into three main categories: the neutral point clamped (NPC), the flying capacitors (FC), and the cascaded H-bridge (CHB) converters. The three levels NPC Bridge is probably the

most widely used topology for medium voltage AC motor drives and PWM active rectifiers. NPC converters with more levels are also possible, although there are significant problems in the balancing of their dc-link capacitor voltages, unless modified modulation strategies or additionally circuitry are used. In medium-voltage high-power converters have become widely used as drives for pumps, fans and material transport in a number of industries, as well as for VAR compensation in grid applications.

On the other hand, the CHB converter is normally implemented with large number of levels, but at the cost of complicated and bulky input transformers with multiple rectifiers or multi-winding three-phase output transformers. For this reason, in applications with no active power transfer, such as in reactive power compensation, where the converter can operate without the rectifier front-end, the CHB is a highly attractive solution.

In recent years an increased interest has been given to hybrid topologies integrating more than one topology in a single converter. Some authors have proposed the use of cascaded H-bridges fed by multilevel dc-links generated which are implemented with another converter topology. In a hybrid configuration based on the combination of an active NPC and a flying capacitor cell has been proposed to implement a five level converter. An hybrid converter formed by the series connection of a main three-level NPC converter and auxiliary floating H-Bridges (NPC-HBs) has been presented.

### II. HYBRID TOPOLOGY

#### A. Power Circuit

The considered hybrid topology is composed by a traditional three-phase, three-level NPC inverter, connected with a single phase H-bridge inverter in series with each output phase [23]–[25]. The power circuit is illustrated in Fig. 1, with only the H-bridge of phase a shown in detail. For testing as an inverter, the DC source for the NPC converter is provided by two series connected diode bridge rectifiers, arranged in a twelve-pulse configuration. The H-bridge DC-links are not connected to an external DC power supply, and they consist only of floating capacitors kept at a constant voltage by the control strategy detailed in Section III.

In the hybrid topology considered, the NPC inverter provides the total active power flow. For high-power medium voltage NPC, there are advantages to using latching devices such IGBTs rather than IGBTs, due to their lower losses and higher voltage blocking capability [23], [25], [27], imposing a restriction on the switching frequency. In this work, an NPC operating at a low switching frequency (of 250Hz) is considered. In contrast, the H-bridges are rated at a lower voltage and need to be commutated at a higher frequency for an effective active filtering effect. This calls for the use of IGBT.

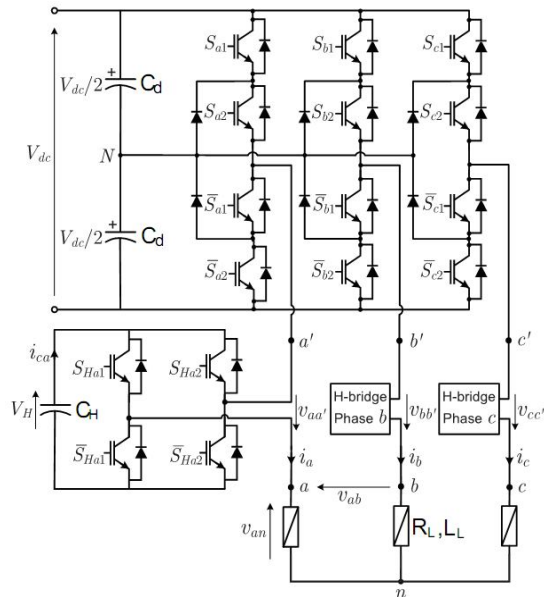


Fig. 1. Hybrid topology power circuit.

The proposed converter, shown in Fig.1, can be analyzed from two different points of view. The first interpretation is as a single hybrid multilevel inverter with a nine level phase voltage, achieved by the cascade connection of a three level NPC leg and an H-bridge per phase. The second interpretation is as an NPC converter with a series active filter that compensates for the harmonic content introduced by the low switching NPC stage. If the NPC bridge is to be modulated at a low switching frequency, as proposed in this work, the second interpretation would seem to be more appropriate to devise a control algorithm, leading to the following two design challenges:

- To determine the lowest value of H-bridge dc-link voltage (V<sub>H</sub>) that achieves adequate voltage harmonic compensation.
- To devise a control algorithm that ensures that the floating dc-links are properly regulated at this value.

For the modulation of the NPC inverter, the Selective Harmonic Elimination (SHE) method has been selected. This method has the advantage of very low switching frequency and hence low switching losses, while eliminating the low order harmonics. With the use of SHE modulation, the fundamental output voltage of the converter is synthesized by the NPC converter and thus the series HBs

will only need to supply reactive power, allowing for operation with floating capacitor DC-links.

A drawback of any synchronous modulation method, such as SHE, is its limited dynamic capability and poor closed loop performance due to the use of a pre-calculated lookup table based approach, rather than real time calculations [28]. These drawbacks can, to a large extent, be overcome by the use of the series H-bridges which are modulated in real time, introducing an additional degree of control freedom to the circuit and cleaner feedback signals.

### B. NPC Selective Harmonic Elimination

Three-level SHE is an established and well documented modulation strategy [29]. A qualitative phase output voltage waveform is presented in Fig. 2 considering a 5-angle realization, so five degrees of freedom are available. This enables the amplitude of the fundamental component to be controlled and four harmonics to be eliminated. Since a three-phase system is considered, the triple harmonics are eliminated at the load by connection, and hence, they do not require elimination by the modulation pulse pattern. Thus, the 5<sup>th</sup>, 7<sup>th</sup>, 11<sup>th</sup> and 13<sup>th</sup> harmonics are chosen for elimination. For line-connected applications, this 5-angle implementation results in a switching frequency of 250Hz for the NPC portion of the converter and leaves the 17<sup>th</sup> as the first harmonic component to appear in the steady state load current. On the other hand, for variable frequency drive applications, the number of angles must be varied in order to maintain a near constant switching frequency at any operation point [30].

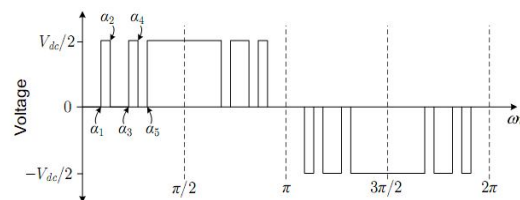


Fig. 2. Three-level NPC selective harmonic elimination phase voltage ( $v_{a/N}$ ) waveform.

### C. H-Bridge floating DC-link voltage determination

The addition of the series H-bridge results in more levels being added on the output voltage waveform of the converter  $v_{aN}$ . In particular, if the value of V<sub>H</sub> is smaller than V<sub>dc</sub> /4, no redundant switching states are created and the output voltage waveform of the converter will have the maximum number of levels (nine), generating similar waveforms to those achieved by cascade H-bridge inverters with unequal dc sources [1], [31].

The increased number of output levels leads to a reduction in both the  $\Delta V$  of the output voltage waveform and the harmonic content of the overall output voltage  $v_{aN}$ , enhancing the power quality of the hybrid converter. One logical solution would be to make V<sub>H</sub> equal to a sixth of the NPC total dc-link voltage, i.e.  $V_H = V_{dc} /6$ , so that equally spaced output voltage levels would be created. On the other hand, considering that the NPC converter is modulated using the synchronous SHE method, the H-bridge should be modulated to compensate for the distortion created by the modulation of the NPC. This is done at a higher frequency

using carrier based unipolar PWM. When deciding the value for the dc-link voltage of the H- bridges  $V_H$ , a sufficiently large value should be selected to achieve appropriate compensation of the remaining distortion, while at the same time the value of  $V_H$  should be kept as low as possible in order to minimize the additional switching losses.

- The blocking voltage of their semiconductors is one third of the blocking voltage of the NPC switches, and hence, lower nominal voltage devices can be used.
- The lower the nominal blocking voltage of a semiconductor, the faster the switching and the lower the switching losses.
- The current in both converters is the same.

For switches with approximately 1:3 nominal voltage ratio and with similar current rating (e.g. 1.7kV, 1200A IGBT and 4.5kV IGCT, 1100A [32], [33] respectively), the ratio between the switching energy losses is around 1:8. Then, considering the number of commutations in an H-bridge and in one NPC leg, the losses ratio as a function of their average switching frequencies can be expressed as:

$$\frac{P_h}{P_{npc}} = \frac{f_h}{8f_{npc}} \tag{1}$$

Hence, as the synchronous pulse pattern results in an average switching frequency of 250Hz for the NPC, the H-bridge PWM carrier frequency is set to 2kHz.

Fig. 3. H-bridge reference voltage generation for  $m = 0.8$ : a) NPC SHE pattern, b) load phase voltage, c) H-bridge harmonic reference with black) and without (gray) commo

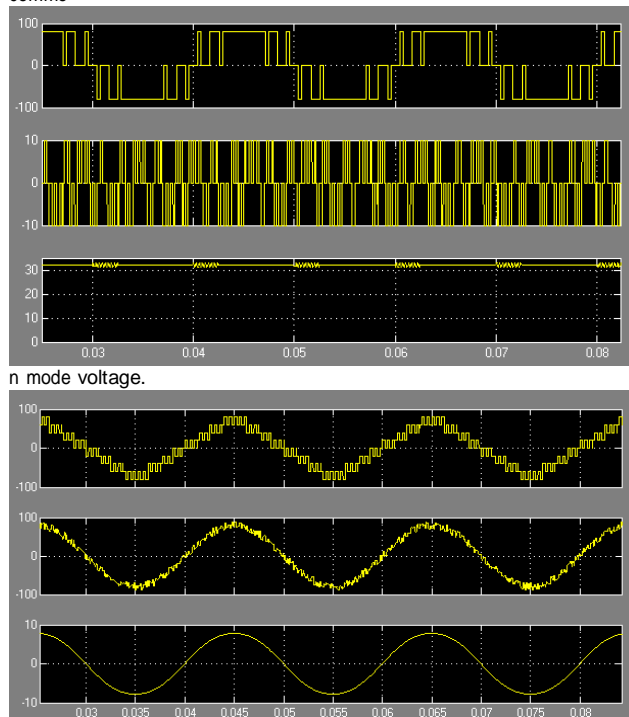


Fig. 4. H-bridge reference voltage and carrier waveform, in pu respect to  $V_{dc}$ : a) for  $m = 0.8$ , b) for  $m = 0.89$ .

### III. CONTROL STRATEGY

#### A. H-bridge controller

Each series H-bridge converter is independently controlled by two complementary references, as shown in Fig. 5. The first Reference  $V_{aa}^*(f_n)$  corresponds to the inverse of the harmonics remaining from the SHE pulse pattern, calculated as described in the previous section from the difference between the NPC pulsed voltage pattern and its sinusoidal voltage reference. This calculation provides a fast and straightforward distortion estimation allowing for simple feed-forward compensation.

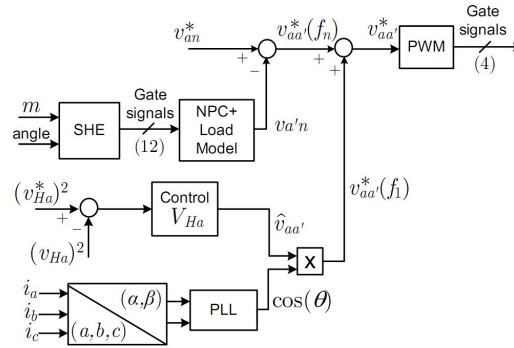


Fig. 5. H-bridge control diagram for phase a.

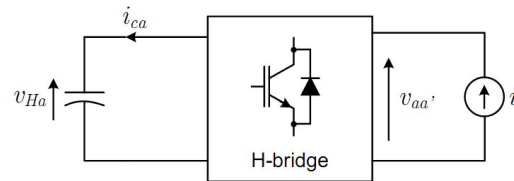


Fig. 6. Simplified H-bridge circuit for dynamic modeling of dc-link voltage

Moreover, this voltage does not have a fundamental voltage component and hence it does not affect the floating average DC-link capacitor voltage. Nevertheless, to achieve start-up capacitor charge and to compensate voltage drift due to transient operation, an additional reference component for DC-link voltage control is included. This second component of the voltage reference  $V_{aa}^*(f_n)$  corresponds to a signal in phase with the load current. This voltage is used to inject small amounts of active power into the cell in order to control the H-bridge DC-link voltage at its reference value  $V_H^*$ .

During operation, the fundamental load current is generated by the NPC converter. In order to synchronize the voltage reference  $V_{aa}^*(f_n)$  with this current, a phase lock loop (PLL) algorithm is used, which guarantees zero phase shift between both signals and therefore maximizes the active power transfer to the capacitors for any power factor. The magnitude of this voltage reference is obtained from the DC-link voltage controller shown in Fig. 5. For the design of this voltage controller, the dynamic model (2) of the dc-link voltage  $v_H$  as a function of  $v_{aa}^*$  is used. This model has been developed based on an instantaneous active power balance applied to the simplified cell circuit of Fig. 6.

$$\frac{C_H}{2} \cdot \frac{dv_{Ha}^2}{dt} \approx \frac{\hat{i}_a \cdot \hat{v}_{aa}^*}{2} \tag{2}$$

A undesirable characteristic of (2) is its nonlinearity with respect to  $v_H$ . This can be dealt with by

linearization or by simply introducing the auxiliary variable  $x = \sqrt{2} I_a$  and controlling  $x$  directly. As is indicated in Fig. 5, the latter alternative is implemented in this work. Finally, the transfer function can be expressed as (3), which is first order and can reference  $v_{H2}$  □ (3)

**B. External current control loop**

For good dynamic performance, an outer load current loop can be implemented as shown in Fig. 7. As low order harmonics are compensated by the H-bridges, the current can be synchronously sampled with the H-bridge carrier, providing a good estimation of its fundamental value. Moreover, as a high sampling frequency is used, a high current bandwidth can be achieved.

It is important to note that, in applications with low frequency switching patterns, such as the SHE modulation, the use of direct synchronous sampling of the currents is not adequate to obtain the fundamental current because the switching harmonics do not cross zero at regular intervals in Fig. 7.

**C. H-bridge DC-link voltage control under regenerative operation**

In regenerative operation, such as active front end applications for regenerative drives, the power flow needs to be controlled bidirectionally. This is possible due to the interaction between the converter and load voltages through the grid impedance, usually an inductive filter. As indicated in Fig. 8, under the regenerative operation, the load current flow is inverted. Under these conditions, the PLL of Fig. 5 will detect the absolute current phase. This means that a positive reference for the fundamental voltage amplitude  $\hat{v}_{aa} / > 0$  still implies a positive power flow into the cell and hence an increase in the DC-link voltage level  $v_H$  . Likewise, a negative fundamental voltage amplitude  $\hat{v}_{aa} / < 0$  produces a reduction in the DC-link voltage level. In other words, the control for the H-bridge cell is effective, irrespective of the direction of power flow. Therefore the technique can be applied without modification for inverter or rectifier mode of operation.

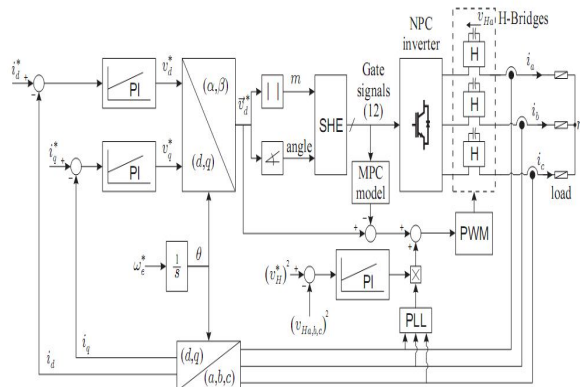


Fig. 7. Simplified current control loop for the proposed topology, including SHE for the NPC (the control loops for the H-bridges are not shown).

**IV. RESULTS**

The first phase of the work was to evaluate the proposed topology and control method. Experimental results

are included to show the controlled DC-link voltage of the H-Bridges and the current waveform improvement for the Hybrid Inverter. using Matlab/Simulink coupled with the circuit simulator PSIM are also included.

The physical ratings of the considered converter are those of a 1kW laboratory prototype with a total DC-link voltage of  $V_{dc} = 180V$  and rated current of 10A. The capacitors used for the H-bridges are  $C_H = 2200\mu F$  and their reference voltages have been set to  $V^*H = 30V$ .

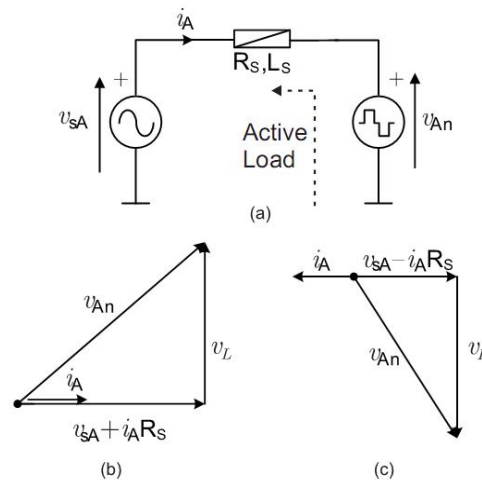


Fig. 8. Hybrid topology as inverter with active load: a) Equivalent circuit, b) Phasor diagram for feeding mode, c) Phasor diagram for regenerative mode.

**A. Results for the inverter configuration**

Experimental results are gained feeding a linear load with values  $R_L = 10\Omega$  and  $L_L = 3mH$  with the 1kW prototype. As previously discussed in section III-C, the converter is operated with  $V_{dc} = 180V$  , while the H-Bridge dc-link voltage reference was set to 30V.

For comparison purposes, Fig. 9 shows the results for the NPC inverter operating without H-bridge compensation. In this result the NPC inverter is modulated by a 5-angle SHE pattern and  $m = 0.8$ . The first waveform corresponds to the NPC inverter output phase voltage  $v_{a/N}$  which results in the 9-level load voltage waveform  $v_{an}$  of Fig.9b. Finally, Fig.9c shows the resulting output current waveform with its characteristic low frequency distortion.

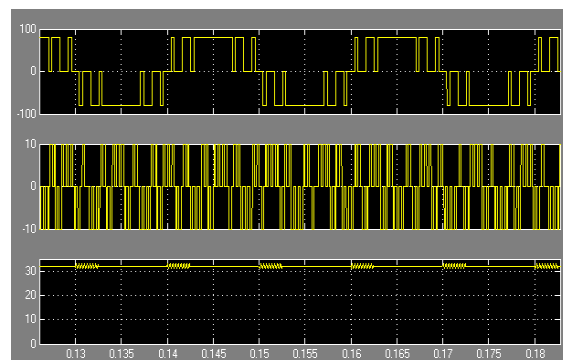


Fig. 9. NPC inverter operation at 50Hz with  $m = 0.8$ .

In comparison to the previous results, the full hybrid topology results are shown in Fig. 10. Fig. 10a shows the three-level NPC output voltage,  $v_{a/N}$ , generated under the same conditions, while Fig. 10b shows the output voltage of the respective H-Bridge  $v_{a/H}$ . Note the higher switching frequency compared with the NPC output. Additional distortion can be appreciated due to the semiconductor drop, which will not be relevant for higher voltage applications. The H-Bridge DC-link voltage is shown in Fig. 10c, which is controlled to be the desired voltage of  $V_H = 0.167 \cdot V_{dc}$  as described in II-C. Also, it can be noted that in Fig. 10e that 33 different voltage levels are applied to the load voltage, causing less distortion in the output inverter waveforms than in the waveforms of Fig. 9.

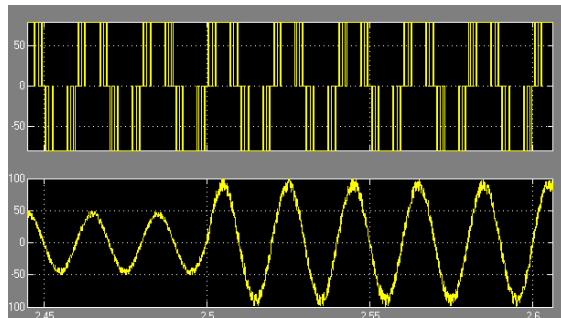


Fig. 10. Hybrid inverter operation at 50Hz with  $m = 0.8$ .

This is seen clearly in the current waveform in Fig. 10f, with a highly sinusoidal shape compared with the output current waveform without the H-Bridges harmonic compensation in Fig. 9c. Hence, comparing the results of Fig. 9 with those of Fig. 10, it is clear that current waveform improvement has been achieved with the hybrid inverter. This is confirmed by the spectral analysis shown in Fig. 11. Here, the spectral content of simulated results corresponding to the steady state currents shown in Fig. 9c and 10f are compared. For this analysis, simulated data is used to overcome inaccuracies, caused by use of a low voltage prototype, in particularly the effect of semiconductor drop. For the NPC converter, as expected, the spectrogram does not show the lower order harmonics. However it does have more than 7% of the 17th and 19th harmonics and significant amplitude in higher order harmonics, resulting in a current THD of 12.9%. On the other hand, the operation of the hybrid converter shows almost a complete elimination of these characteristic harmonics, resulting in a current THD of 2.4%.

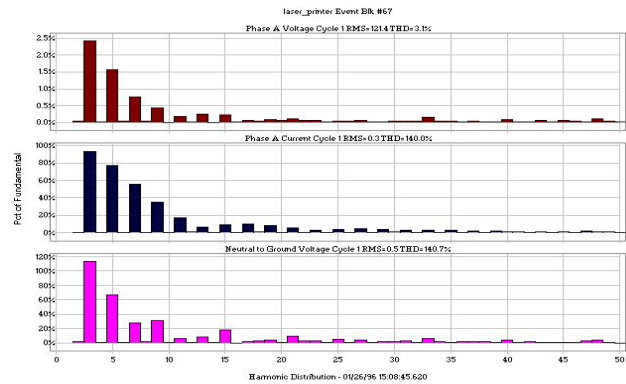


Fig. 11. Current spectrum for 50Hz operation with  $m = 0.8$  a) NPC modulated by SHE. b) Full hybrid converter.

The main objective of current waveform improvement has been achieved, thanks to the additional voltage levels introduced by the series connected H-Bridges, without the need for extra DC-link power supplies.

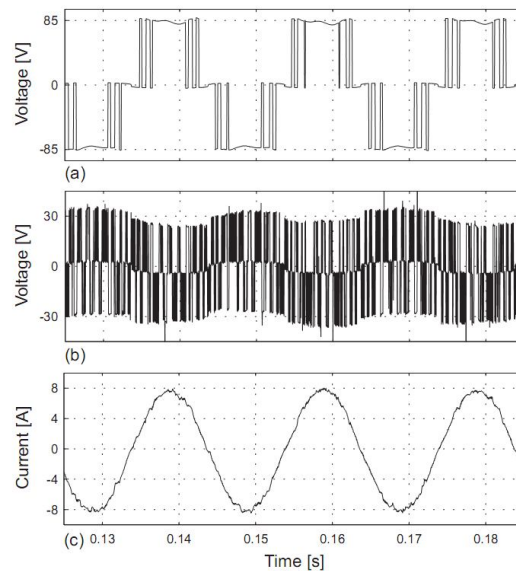


Fig. 12. Hybrid inverter 50Hz closed loop operation with Bandwidth of 160Hz, near  $m = 0.81$ : a) NPC voltage output of phase A; b) Voltage output of the H-Bridge A; c) Controlled load current.

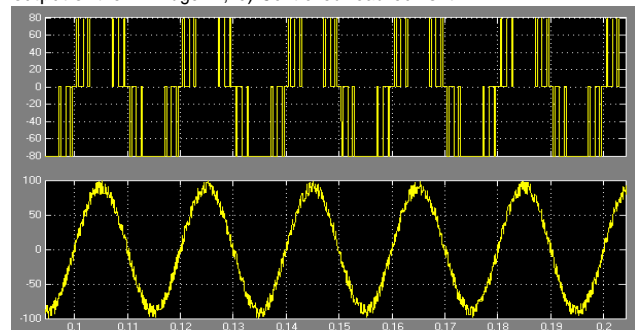


Fig. 13. NPC inverter 50Hz closed loop operation with Bandwidth of 160Hz, near  $m = 0.81$ : a) the NPC voltage output of phase A; b) Resulting load current.

### B. Experimental results for current closed loop operation

This section presents results to ascertain converter's performance under closed loop conditions. First, the converter is run without the use of the series H-bridges (for

comparison purposes only), and the results are shown in Fig. 13. It can be clearly seen that the output voltage of the converter in Fig. 13a suffers greatly due to the dynamic changes in modulation depth demanded by the output of the current control, hence constantly changing between patterns. This changing reference is produced by the feedback of the switching current harmonics that are significant in magnitude and can not be filtered by synchronous sampling. The resulting, heavily distorted, load current waveform is shown in Fig. 13b. This poor result is to be expected when linear current control is used with synchronous pulse patterns for the reasons given in III-B. In comparison, the results presented in Fig. 12 show highly sinusoidal current waveforms. The series H-bridges have compensated for the output distortion and enabled the use of a highly dynamic closed loop current control, without introducing additional commutation in the NPC bridge. The current loop dynamic response is shown in Fig. 14 and 15, where a step from 4A to 8A in the daxis current is commanded while the q axis current reference is kept constant.

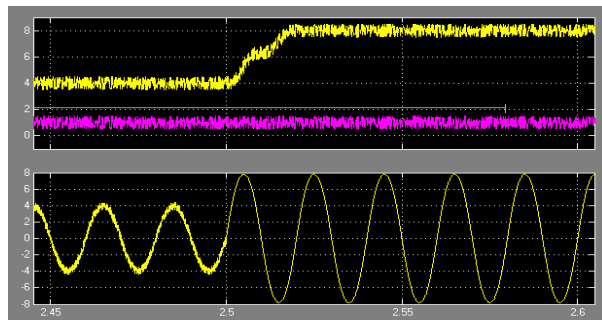


Fig. 14. Closed loop current response: a) Measured currents in the synchronous frame d/q; b) Phase current.

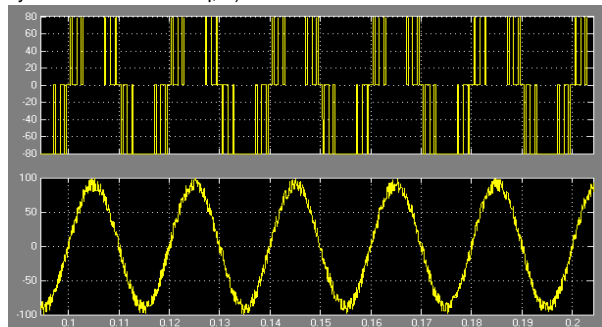


Fig. 15. Voltage during current step: a) NPC voltage response; b) Total load phase voltage.

Note that no significant oscillations are present in the NPC voltage (as shown in Fig. 15a), which keeps operating with the 5-angle pattern, even during the current transient. During the transient however, small oscillations are present in the currents due to the limited compensation capability of the H-bridges, which is a result of their low voltage and to the limited amount of energy stored on them. Nevertheless, this additional oscillation decreases rapidly once the NPC stabilizes and reaches a quasi steady state.

### C. Results for the active rectifier configuration

Figure 16 presents simulation results for the hybrid topology and control method when it is used as an active rectifier connecting a 115V line-to-line grid through a line impedance of  $L_s = 1.5\text{mH}$  and  $R_s = 0.2\Omega$ . Note that at  $t =$

0.14s, a change from feed to regenerative load mode has been demanded. This results in the change in polarity of the input current  $i_a$  and in the NPC-SHE voltage output  $v_a/N$ . The phase to neutral supply voltage van clearly shows the multilevel stepped waveform introduced by the NPC rectifier and the H-bridge series filter, which results in a high quality input current. The proposed DC-link control method exhibits good performance which can be observed in that the H-bridge DC-link voltage  $V_H$  remains close to the demanded  $V_{dc}/6$ , even though there is a change in the direction of power flow.

## V. CONCLUSION & DISCURSIONS

The series connection of a SHE- modulated NPC and H-bridge multilevel inverter with a novel control scheme to control the floating voltage source of the H-bridge stage. The addition of the H-bridge series active filter or additional converter stage is not intended to increase the power rating of the overall converter. Rather, the main goal is to improve, in a controllable or active way, the power quality of the NPC bridge which may have a relatively low switching frequency. This enables superior closed loop performance for medium-voltage NPC-SHE based schemes, where this modulation strategy has been selected for efficiency purposes. It also allows the use of smaller inductive filters when connecting to the utility supply in AFE applications. Since no changes are made to the power circuit and modulation stage of the NPC inverter, the series H-bridge power circuit and its control scheme can be easily added as an upgrade to existing NPC driven applications.

The proposed series H-bridge filter control scheme can be used either as a grid or load interface, depending on whether the NPC converter is used as an AFE or inverter respectively. Both possibilities can be combined if used in a back to back configuration.

The proposed floating dc-link voltage control scheme can be adapted to other hybrid topologies or cascaded H-bridge converters with the advantage that isolated input transformers can be avoided.

## REFERENCES

- [1] J. Rodr'iguez, S. Bernet, B. Wu, J. Pontt and S. Kouro, "Multi- level voltage-source-converter topologies for industrial medium-voltage drives," *IEEE Trans. Ind. Electron.*, vol. 54, no. 6, pp. 2930–2945, Dec. 2007.
- [2] S. Kouro, M. Malinowski, K. Gopakumar, J. Pou, L. Franquelo, B. Wu, J. Rodr'iguez, M. Pe'rez and J. Leo'n, "Recent Advances and Industrial Applications of Multilevel Converters," *IEEE Trans. Ind. Electron.*, vol. 57, no. 8, pp. 2553–2580, Aug. 2010.
- [3] J.S. Lai and F.Z. Peng, "Multilevel converters-A new breed of power converters," *IEEE Trans. Ind. Applicat.*, vol. 32, no. 2, pp. 509–517, May/June. 1996.
- [4] T. Meynard and H. Foch, "Multi-level choppers for high voltage applications," *Eur. Power Electron. J.*, vol. 2, no. 1, pp. 45–50, Mar. 1992.
- [5] T. Meynard, H. Foch, P. Thomas, J. Courault, R. Jakob and M. Nahrstaedt, "Multicell converters: Basic concepts and industry applications," *IEEE Trans. Ind. Electron.*, vol. 49, no. 5, pp. 955–964, Oct. 2002.

- [6] M. Marchesoni, M. Mazzucchelli and S. Tenconi, "A non conventional power converter for plasma stabilization," *IEEE Trans. Power Electron.*, vol. 5, no. 2, pp. 212–219, Apr. 1990.
- [7] P. Hammond, "A new approach to enhance power quality for medium voltage AC drives," *IEEE Trans. Ind. Appl.*, vol. 33, pp. 202–208, Jan./Feb. 1997.
- [8] J. Rodríguez, J. Pontt, G. Alzamora, N. Becker, O. Einkenkel and A. Weinstein, "Novel 20 mw downhill conveyor system using three-level converters," *IEEE Trans. Ind. Electron.*, vol. 49, no. 5, pp. 1093–1100, Oct. 2002.
- [9] A. Yazdani and R. Iravani, "A neutral point clamped converter system for direct drive in variable speed wind power unit," *IEEE Trans. Energy Conversion*, vol. 21, pp. 596–607, Jun. 2006.
- [10] J. Pou, R. Pindado and D. Boroyevich, "Voltage-balance limits in four-level diode-clamped converters with passive front ends," *IEEE Trans. Ind. Electron.*, vol. 52, no. 1, pp. 190–196, Feb. 2005.
- [11] G. Sinha and T. Lipo, "A four-level inverter based drive with a passive front end," *IEEE Trans. Power Electron.*, vol. 15, no. 2, pp. 285–294, Mar. 2000.
- [12] S. Busquets-Monge, S. Alepuz, J. Rocabert and J. Bordonau, "Pulsewidth modulations for the comprehensive capacitor voltage balance of N-level three-leg diode-clamped converters," *IEEE Trans. Power Electron.*, vol. 24, no. 5, pp. 1364–1375, May 2009.
- [13] N. Hattii, Y. Kondo and H. Akagi, "Five-level diode-clamped pwm converters connected back-to-back for motor drives," *IEEE Trans. Ind. Appl.*, vol. 44, no. 4, pp. 1268–1276, Jul.-Aug. 2008.
- [14] C. Rech and J. R. Pinheiro, "Impact of hybrid multilevel modulation strategies on input and output harmonic performances," *IEEE Trans. Power Electron.*, vol. 22, pp. 967–977, May 2007.
- [15] M. D. Manjrekar, P. K. Steimer and T. A. Lipo, "Hybrid multilevel power conversion system: a competitive solution for high-power applications," *IEEE Trans. Ind. Appl.*, vol. 36, no. 3, pp. 834–841, May/June. 2000.
- [16] S. Song, F. Kang and S.-J. Park, "Cascaded Multilevel Inverter Employing Three-Phase Transformers and Single DC Input," *IEEE Trans. Ind. Electron.*, vol. 56, no. 6, pp. 2005–2014, Jun. 2009.
- [17] F. Z. Peng, J.-S. Lai, J. W. McKeever and J. Van Coevering, "A multilevel voltage-source inverter with separate DC sources for static VAR generation," *IEEE Trans. Ind. Appl.*, vol. 32, no. 5, pp. 1130–1138, Sept./Oct. 1996.
- [18] Q. Song, W. Liu and Z. Yuan, "Multilevel optimal modulation and dynamic control strategies for STATCOMs using cascaded multilevel inverters," *IEEE Trans. Power Delivery*, vol. 22, no. 3, pp. 1937–1946, Jul. 2007.
- [19] G.-J. Su, "Multilevel DC-Link Inverter," *IEEE Trans. Ind. Appl.*, vol. 41, no. 3, pp. 848–854, May/June. 2005.
- [20] P. Lezana and J. Rodríguez, "Mixed Multicell Cascaded Multilevel Inverter," in *Proc. IEEE ISIE*, 2007, pp. 509–514.
- [21] D. Ruiz, R. Ramos, S. Mussa and M. Heldwein, "Symmetrical Hybrid Multilevel DC-AC Converters With Reduced Number of Insulated DC Supplies," *IEEE Trans. Ind. Electron.*, vol. 57, no. 7, pp. 2307–2314, Jul. 2010.
- [22] F. Kieferndorf, M. Basler, L. A. Serpa, J.-H. Fabian, A. Coccia and G. A. Scheuer, "A new medium voltage drive system based on ANPC-5L technology," in *Proc. IEEE-ICIT*, 2010, pp. 605–611.
- [23] M. Veenstra and A. Rufer, "Control of a hybrid asymmetric multilevel inverter for competitive medium-voltage industrial drives," *IEEE Trans. Ind. Appl.*, vol. 41, no. 2, pp. 655–664, Mar./Apr. 2005.
- [24] P. Steimer and M. Manjrekar, "Practical medium voltage converter topologies for high power applications," in *Conf. Rec. IEEE IAS Annu. Meeting*, 2001, pp. 1723 – 1730.
- [25] T. Gopalarathnam, M. Manjrekar and P. Steimer, "Investigations on a unified controller for a practical hybrid multilevel power converter," in *Proc. IEEE APEC*, 2002, pp. 1024 – 1030.
- [26] C. Silva, P. Kouro, J. Soto and P. Lezana, "Control of an hybrid multilevel inverter for current waveform improvement" in *Proc. IEEE ISIE*, 2008, pp. 2329–2335.
- [27] S. Bernet, R. Teichmann, A. Zuckerberger and P. Steimer, "Comparison of high-power igbt's and hard-driven gto's for high-power inverters," *IEEE Trans. Ind. Appl.*, vol. 35, no. 2, pp. 487–495, Mar./Apr. 1999.
- [28] J. Holtz and N. Oikonomou, "Estimation of the fundamental current in low-switching-frequency high dynamic medium-voltage drives," *IEEE Trans. Ind. Appl.*, vol. 44, no. 5, pp. 1597–1605, Sept./Oct. 2008.
- [29] B. Wu, *High-Power Converters and AC Drives*. Wiley-IEEE Press, 2006. [30] L. Cordova, C. Silva and P. Lezana, "Hybrid multilevel inverter drive with synchronous modulation and current waveform improvement," in *Proc. IEEE IEMDC*, 2009, pp: 158-164.
- [31] C. Rech and J. R. Pinheiro, "Hybrid multilevel converters: Unified analysis and design considerations," *IEEE Trans. Ind. Electron.*, vol. 54, no. 2, pp. 1092–1104, Apr. 2007.
- [32] Technical Information – IGBT Module FZ1200R17HP4, Infinition, <http://www.infinition.com/>, 2010.
- [33] Data Sheet – Reverse Conducting IGCT 5SHX 14H4510, ABB Semiconductors, [www.abb.com/semiconductors](http://www.abb.com/semiconductors), Lenzburg, Switzerland, 2007.
- [34] T. Salzmann, G. Kratz and C. Daubler, "High-power drive system with advanced power circuitry and improved digital control," *IEEE Trans. on Ind. Appl.*, vol. 29 , no. 1, pp. 168–174, Jan./Feb. 1993.
- [35] J. Holtz and N. Oikonomou, "Synchronous optimal pulsewidth modulation and stator flux trajectory control for medium-voltage drives," *IEEE Trans. Ind. Appl.*, vol. 43, no. 2, pp. 600–608, Mar./Apr. 2007.

## BIOGRAPHIES



**1. Mr. Suresh Madasi** has received his B. Tech (EEE) degree from JNTUH University India, in 2007 and He is presently Pursuing his M. Tech degree From JNTUH University India, in 2012.



**2. Mr.P.Sankar Babu** received the B.Tech degree from JNTUH, India, the M.tech degree from JNTUH, India and presently pursuing PhD from JNTUH, India.He has very rich experience in Fuzzy Logic and MATLAB. At present he is a HOD and Assoc. Professor in the Electrical & Electronics Engineering Department, Lords Institute of Egg. & Technology, Hyderabad, AP, India. His research interests are computer applications in power systems planning, analysis and control. He is published 9 national and 3 International Journals.